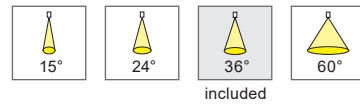
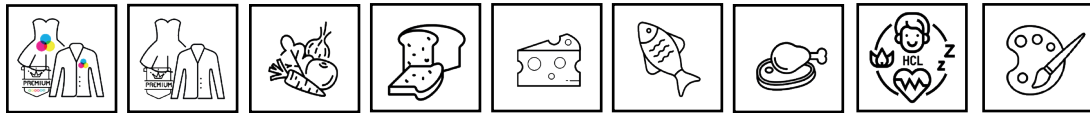


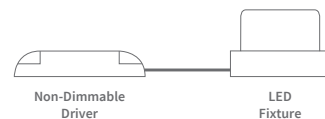


Flo

Round Fixed & Tiltable



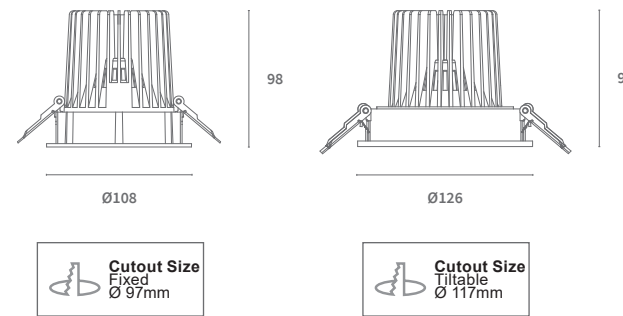
System Power	19.5W	26W
CRI	>90Ra	
CCT	3000K	3000K
System Lumen	2340lm	3211lm
System Efficacy	120lm/W	124lm/W
LDR	Up to 85%	
Driver	Non-Dimmable Driver (included)	
SDCM	2	
L+B values (50.000 hr)	L90B10 (50.000h)	



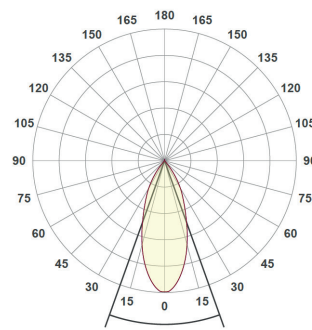
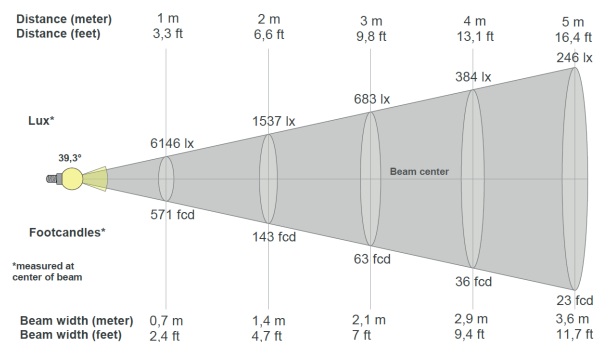
Article No.	Product Name	Color	CCT	CRI	System Lumen	System Power	System Efficacy	Reflector	Cutout size
2.11.1485	Flo Round Fixed	Grey	3000K	>90Ra	2340lm	19.5W	120lm/W	36°	Ø 97mm
2.11.1486	Flo Round Fixed	White	3000K	>90Ra	2340lm	19.5W	120lm/W	36°	Ø 97mm
2.11.1487	Flo Round Fixed	Black	3000K	>90Ra	2340lm	19.5W	120lm/W	36°	Ø 97mm
2.11.2563	Flo Round Fixed	Grey	3000K	>90Ra	3211lm	26W	124lm/W	36°	Ø 97mm
2.11.2329	Flo Round Fixed	White	3000K	>90Ra	3211lm	26W	124lm/W	36°	Ø 97mm
2.11.2564	Flo Round Fixed	Black	3000K	>90Ra	3211lm	26W	124lm/W	36°	Ø 97mm

Article No.	Product Name	Color	CCT	CRI	System Lumen	System Power	System Efficacy	Reflector	Cutout size
2.11.1488	Flo Round Tilttable	Grey	3000K	>90Ra	2340lm	19.5W	120lm/W	36°	Ø 117mm
2.11.1489	Flo Round Tilttable	White	3000K	>90Ra	2340lm	19.5W	120lm/W	36°	Ø 117mm
2.11.1490	Flo Round Tilttable	Black	3000K	>90Ra	2340lm	19.5W	120lm/W	36°	Ø 117mm
2.11.1491	Flo Round Tilttable	Grey	3000K	>90Ra	3211lm	26W	124lm/W	36°	Ø 117mm
2.11.1492	Flo Round Tilttable	White	3000K	>90Ra	3211lm	26W	124lm/W	36°	Ø 117mm
2.11.1493	Flo Round Tilttable	Black	3000K	>90Ra	3211lm	26W	124lm/W	36°	Ø 117mm

Also available: CRI >90Ra
This is a small selection from our portfolio. Please contact us for a suitable solution for your lighting project.



*More options available! Contact us to customize your fixture down to the finest details.



AVAILABLE BEAM ANGLES

Article No.	Description
5.14.0149	Reflector 15° for Downlight Flo
5.14.0150	Reflector 24° for Downlight Flo
5.14.0152	Reflector 60° for Downlight Flo

AVAILABLE DRIVERS

Article No.	Description
-----	Dimmable driver