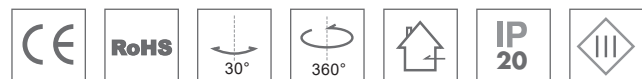
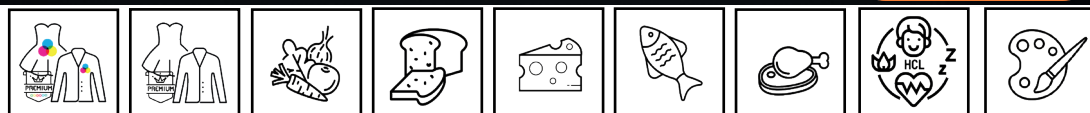




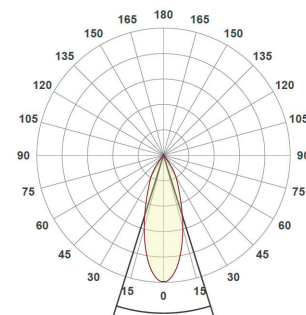
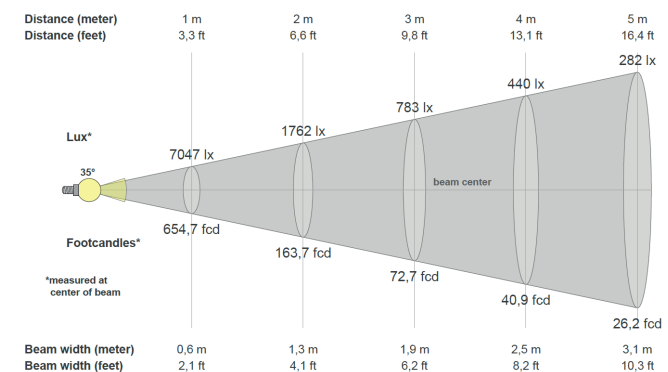
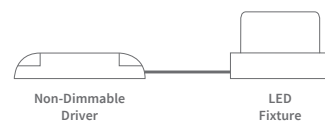
Exo

Round Cardan



System Power	19.5W		26W	
CRI	>90Ra			
CCT	2700K	3000K	2700K	3000K
System Lumen	2237lm	2340lm	3056lm	3211lm
System Efficacy	115lm/W	120lm/W	118lm/W	124lm/W
LOR	Up to 85%			
Driver	Non-Dimmable Driver (included)			
SDCM	2			
L+B values (50.000 hr)	L90B10 (50.000h)			

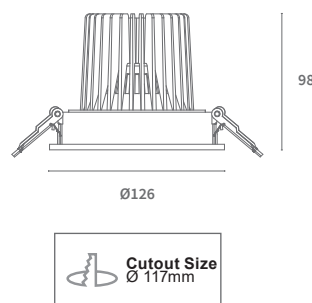
* Also available with other CCT's such as 3500K and 4000K
 More options available! Contact us to customize your fixture down to the finest details.



PRODUCT LIST

Article No.	Product Name	Color	CCT	CRI	System Lumen	System Power	System Efficacy	Reflector	Cutout size
2.11.8996	Exo Round Cardan	Grey	2700K	>90Ra	2237lm	19.5W	115lm/W	36°	Ø 117mm
2.11.9004	Exo Round Cardan	White	2700K	>90Ra	2237lm	19.5W	115lm/W	36°	Ø 117mm
2.11.3489	Exo Round Cardan	Black	2700K	>90Ra	2237lm	19.5W	115lm/W	36°	Ø 117mm
2.11.4176	Exo Round Cardan	Grey	3000K	>90Ra	2340lm	19.5W	120lm/W	36°	Ø 117mm
2.11.2110	Exo Round Cardan	White	3000K	>90Ra	2340lm	19.5W	120lm/W	36°	Ø 117mm
2.11.2113	Exo Round Cardan	Black	3000K	>90Ra	2340lm	19.5W	120lm/W	36°	Ø 117mm
2.11.3591	Exo Round Cardan	Grey	2700K	>90Ra	3056lm	26W	118lm/W	36°	Ø 117mm
2.11.3912	Exo Round Cardan	White	2700K	>90Ra	3056lm	26W	118lm/W	36°	Ø 117mm
2.11.8895	Exo Round Cardan	Black	2700K	>90Ra	3056lm	26W	118lm/W	36°	Ø 117mm
2.11.2558	Exo Round Cardan	Grey	3000K	>90Ra	3211lm	26W	124lm/W	36°	Ø 117mm
2.11.2151	Exo Round Cardan	White	3000K	>90Ra	3211lm	26W	124lm/W	36°	Ø 117mm
2.11.2115	Exo Round Cardan	Black	3000K	>90Ra	3211lm	26W	124lm/W	36°	Ø 117mm

Also available: CRI >80Ra
 This is a small selection from our portfolio. Please contact us for a suitable solution for your lighting project.



AVAILABLE BEAM ANGLES

Article No.	Description
5.14.0149	Reflector 15° for Exo
5.14.0150	Reflector 24° for Exo
5.14.0152	Reflector 60° for Exo
2.01.0973	Honeycomb Louvre for Exo

AVAILABLE DRIVERS

Article No.	Description
-----	Dimmable driver